

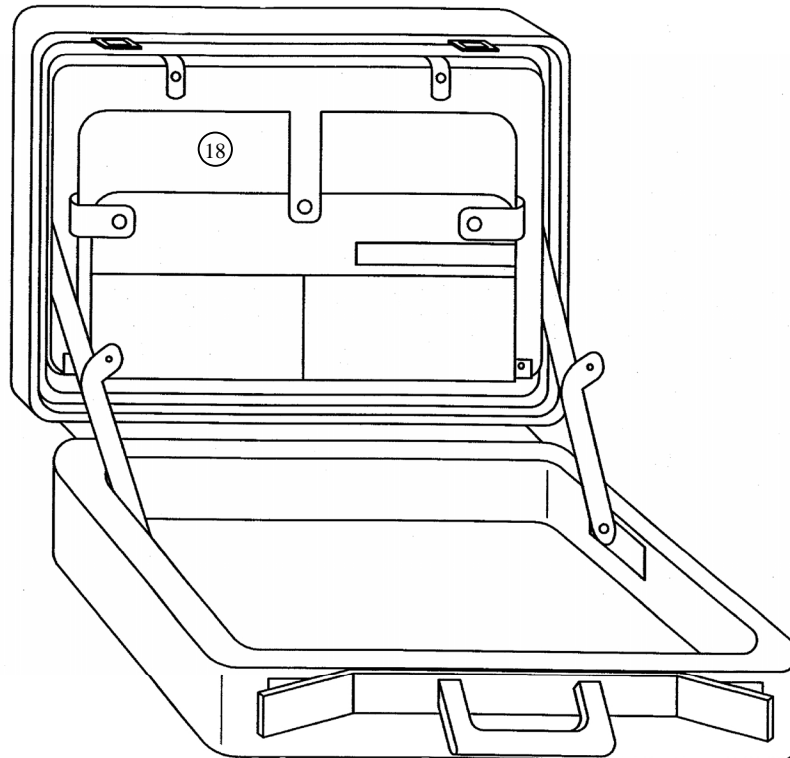
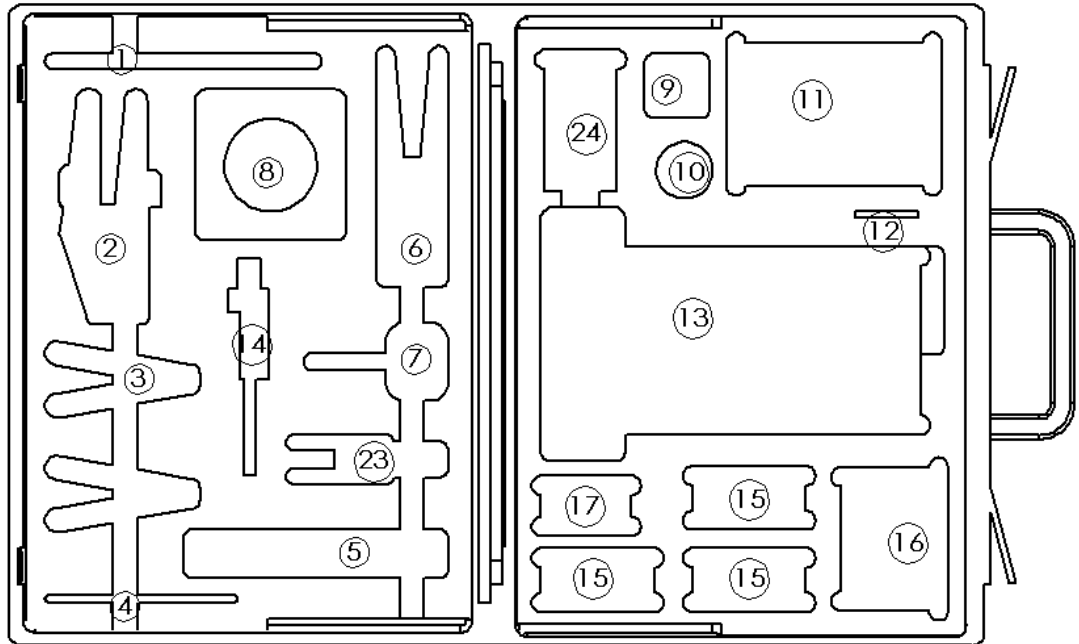


Title : LuxCis cabling tool kit (220 V)

Series  
OUT

Issue  
16 Nov 04

Page  
1/2



CREATION						<b>RADIALL</b> <sup>®</sup> 101, rue P. Hoffmann 93116 ROSNY/BOIS FRANCE Tel : (33) 0149353535 Fax : (33) 0148546363
N°:						
PEN/EP EPF00 03-3						
Name: AM						
Date: 08 Apr 04	11 16 04	Ajout d'outillages		S.P.	A.M.	
Appr.: GM	Issue	Revisions		Name	Appr.	



Title : LuxCis cabling tool kit (220 V)

Series  
OUTIssue  
16 Nov 04Page  
2/2

## Content of the kit

Reference	Rep	Qty	Description
282 515	13	1	Plastic insertion & extraction tool
282 546	13	1	Metal insertion & extraction tool
	17	1	Moss cable support
	24	1	Goggles
	18	5	Markers permanent ink
	11	1	Box
	16	1	Box
	15	3	Box
	1	1	Ruler
F780 503 000	14	1	Syringe
F780 495 000	13	1	Curing oven 220 Volts
	15	5	Container for resin preparation
	13	1	Cleaning tip
	8	1	Adhesive tape
	4	1	Tweezers
F780 025 000	3	1	Primary stripper (MILLER)
F780 033 000	6	1	Jacket stripper (T-stripper)
F780 034 000	6	1	Cutting pliers for aramid members (HS 6000)
F780 039 000	7	1	Ceramic scissors
F780 057 000	2	1	Crimping tool
F780 132 000	13	1	Resin applicator
F780 136 000	12	1	Scoring blade
F780 504 000	11	1	Pack for resin injector (capillaries)
F780 242 010	16	1	Bags of 6 epoxy resin 353 ND resin
F780 290 000	15	1	Ferrule insertion and shaping tool
F780 508 000	18	1	Abrasive strips 12µm
F780 527 000	11	1	Cleaning papers
F780 633 000	17	1	Manual polishing tool (standard LC)
F780 652 000	5	1	Microscope X100
F780 809 000	9	1	Solvent dispenser
F780 811 000	10	1	Waste container
F780 812 000	18	1	Soft rubber polishing base
F780 825 000	18	1	Bag of 10 polishing 3µm films
F780 826 000	18	2	Bag of 10 polishing 1µm films
F780 827 000	18	1	Bag of 10 polishing 0.3µm films
F780 855 000	23	1	Hexagonal Key 5/64 inch (2mm) / flats
F780 856 000	13	1	Bag of cleaning pipes 1.25 mm
F780 857 000	13	1	Bag of cleaning sticks 1.25 mm

The referenced products can be ordered separately.

## General

Function : used to terminate LuxCis plug (F725 serie)  
 Weight : 12 Kg  
 Energy : 220 V / 50 Hz  
 Operating temperature : 0 / +40°C  
 Storage temperature : -10 / +55°C

Validity of consumable : See on the bag

Consumable which are not in the tool kit : alcohol, water and dry air